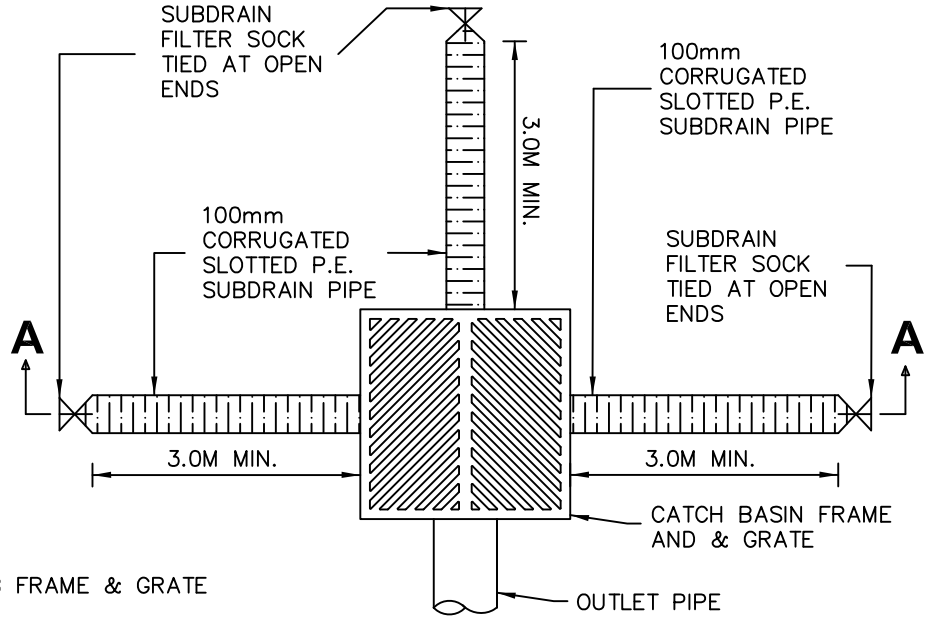
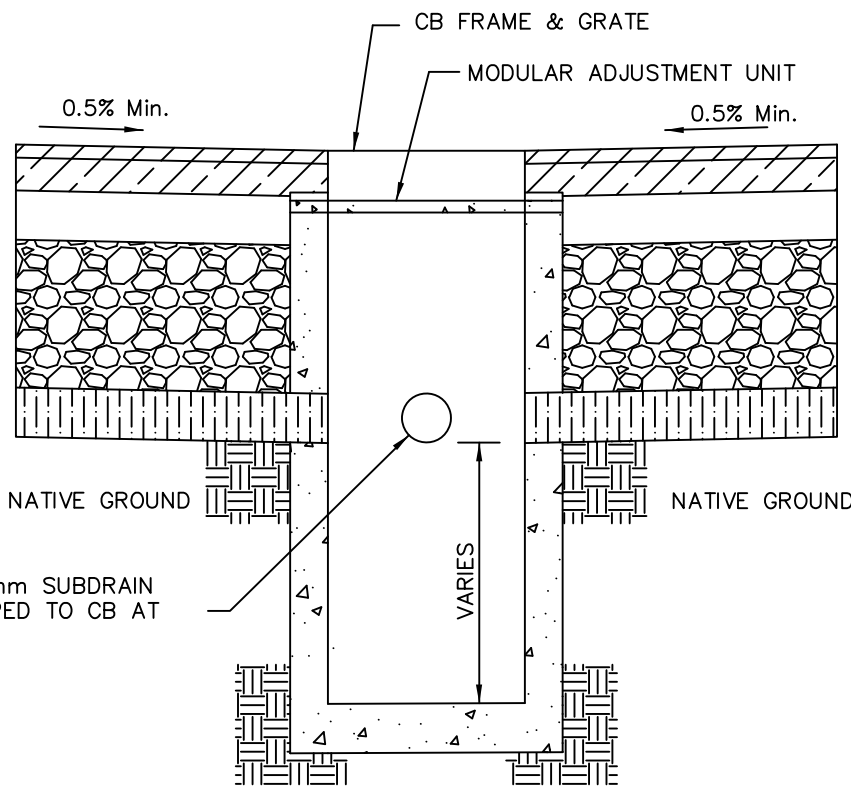


ALL DIMENSIONS IN MILLIMETRES AND/OR METRES, DRAWING NOT TO SCALE



PLAN

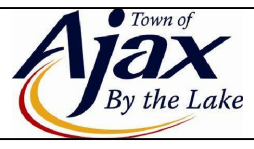


SECTION A-A

NOTE:
PAVEMENT MATERIAL DESIGN TO BE AS PER TOWN OF AJAX STANDARD AS-342 OR AS SPECIFIED.

NOTES:

1. SUBDRAIN TO BE 100mm CORRUGATED SLOTTED P.E. PIPE WITH FACTORY INSTALLED FILTER SOCK.
2. ALL CONNECTIONS TO BE MADE ON SIDE OF ALL CATCHBASINS AND MORTARED IN PLACE.
3. ALL SUBDRAIN CONNECTIONS TO EXTEND A MINIMUM OF 3.0M FROM THE CATCHBASIN.
4. SUBDRAIN FILTER SOCK TO BE TIED AT ALL OPEN ENDS.
5. ASPHALT AND GRANULAR MATERIAL DEPTHS AS PER TOWN OF AJAX STANDARD AS-342 OR AS SPECIFIED.
6. MODULAR ADJUSTMENT UNITS AS PER OPSD 704.010.
7. CATCH BASIN FRAME AND COVER AS SPECIFIED.



ENGINEERING SECTION

CATCHBASIN SUBDRAIN DETAIL
(SITE PLAN DESIGN ONLY)

DWG. No. **AS-153**

DATE DECEMBER 2017

REVISION No.