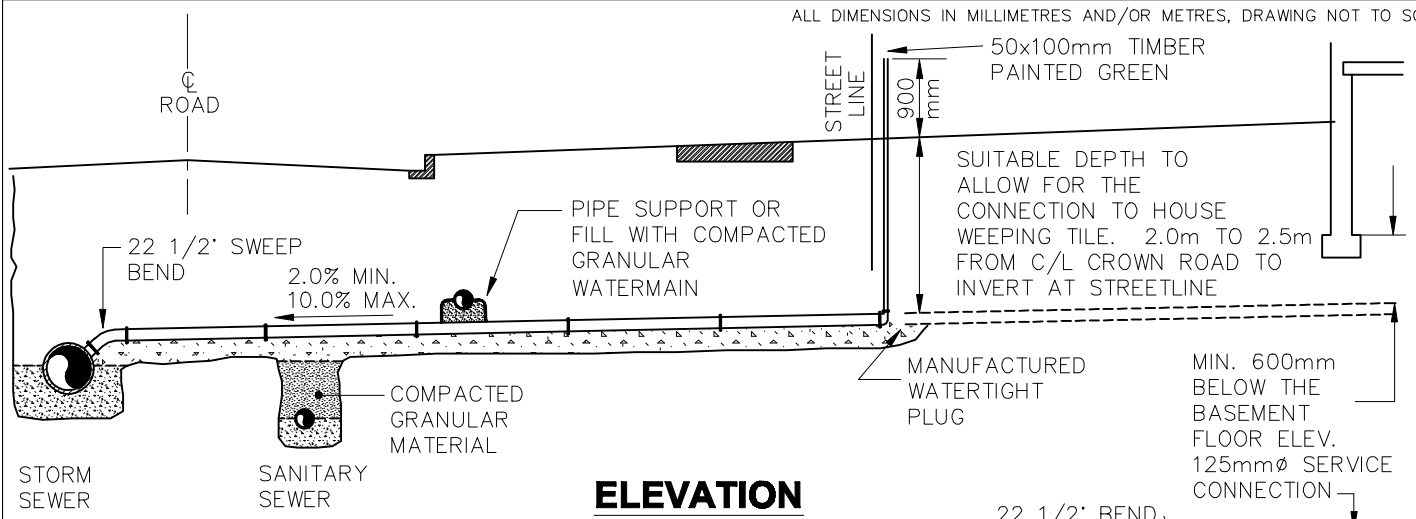
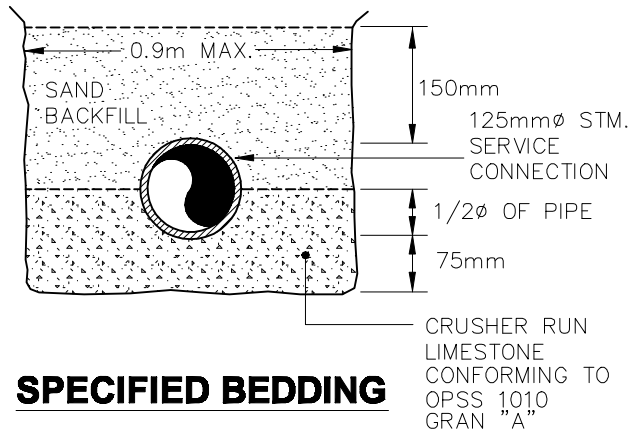


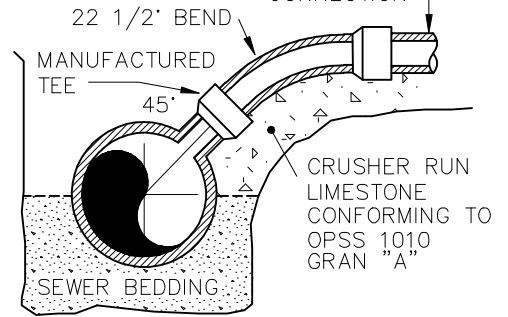
ALL DIMENSIONS IN MILLIMETRES AND/OR METRES, DRAWING NOT TO SCALE



**ELEVATION**



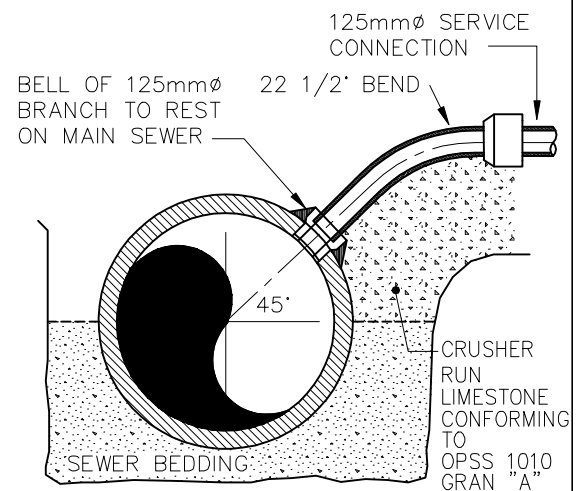
**SPECIFIED BEDDING**



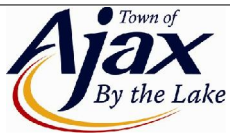
**DETAIL FOR CONNECTION AT MAIN SEWER WITH MANUFACTURERS TEE**

NOTES:

1. END OF PIPE TO BE PLUGGED AT THE PROPERTY LINE.
2. CONNECTION PIPE TO BE PVC SDR-28, WHITE IN COLOUR, AND FITTED WITH APPROVED RUBBER GASKET JOINTS.
3. IF CONTRACTOR TUNNELS UNDER WATERMAIN, MIN. LENGTH OF TUNNEL TO BE 1.8m AND ALL VOIDS TO BE FILLED WITH 10MPa CONCRETE.
4. VERTICAL BEND AT PIPE JOINT NOT TO EXCEED 3 DEGREES.
5. RISERS TO BE INSTALLED WHERE SPECIFIED ON THE ENGINEERING DRAWINGS OR WHEN DEPTH TO TOP OF SEWER EXCEEDS 4.5m.
6. MIN. PIPE GRADE TO BE 2.0%.
7. SERVICE CONNECTION TO BE INSTALLED IN A STRAIGHT LINE FROM SEWER TO STREETLINE.
8. THIS STANDARD IS NOT APPLICABLE FOR CONNECTIONS GREATER THAN 250mmØ.
9. SADDLE OR BELL SHALL NOT PROJECT INTO MAIN SEWER.



**DETAIL FOR CONNECTION WITH CORED CONNECTION TO CONCRETE SEWER**



ENGINEERING SECTION

**STORM SEWER SERVICE CONNECTION**

DWG. No.

**AS-165**

DATE

JANUARY 2011

REVISION No.