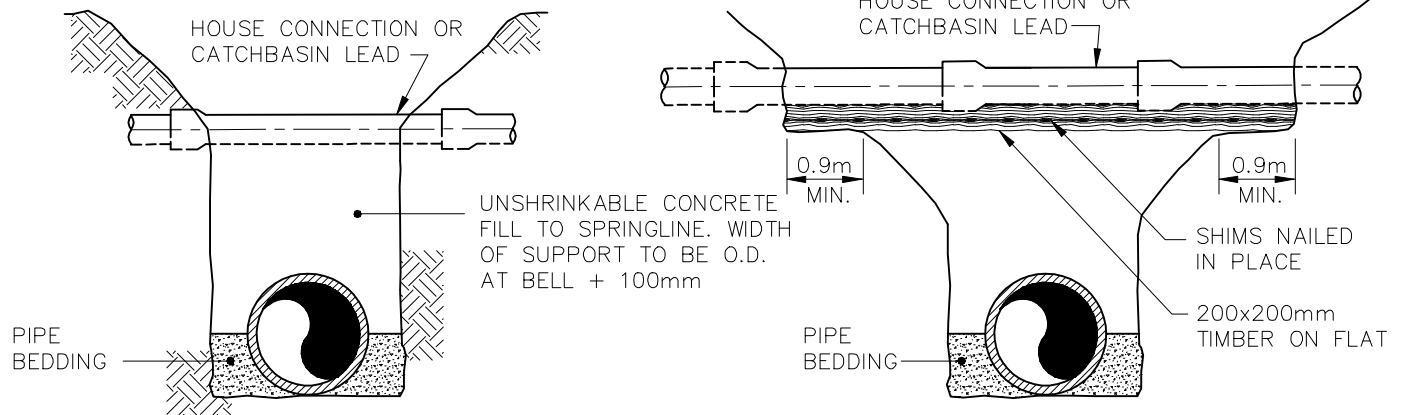


REINFORCED CONCRETE SUPPORT FOR HOUSE CONNECTIONS AND CATCHBASIN LEADS WHEN WIDTH OF TRENCH EXCEEDS 1.5m BUT LESS THAN 3.0m

NOTE: WHEN WIDTH OF TRENCH EXCEEDS 3.0m, METHOD OF SUPPORTING HOUSE CONNECTIONS AND CATCHBASIN LEADS, TO BE APPROVED BY THE TOWN ENGINEER



SUPPORT FOR CONNECTION CROSSING TRENCH WHEN WIDTH OF TRENCH IS LESS THAN 1.5m

NOTES:

- WHERE HOUSE CONNECTIONS OR CATCHBASIN LEADS CROSS A SEWER TRENCH, THEY WILL BE SUPPORTED ON A NEW 200x200mm PRESSURE TREATED TIMBER WHICH HAS A MINIMUM BEARING OF 0.9m AT EACH END (ON UNDISTURBED GROUND).