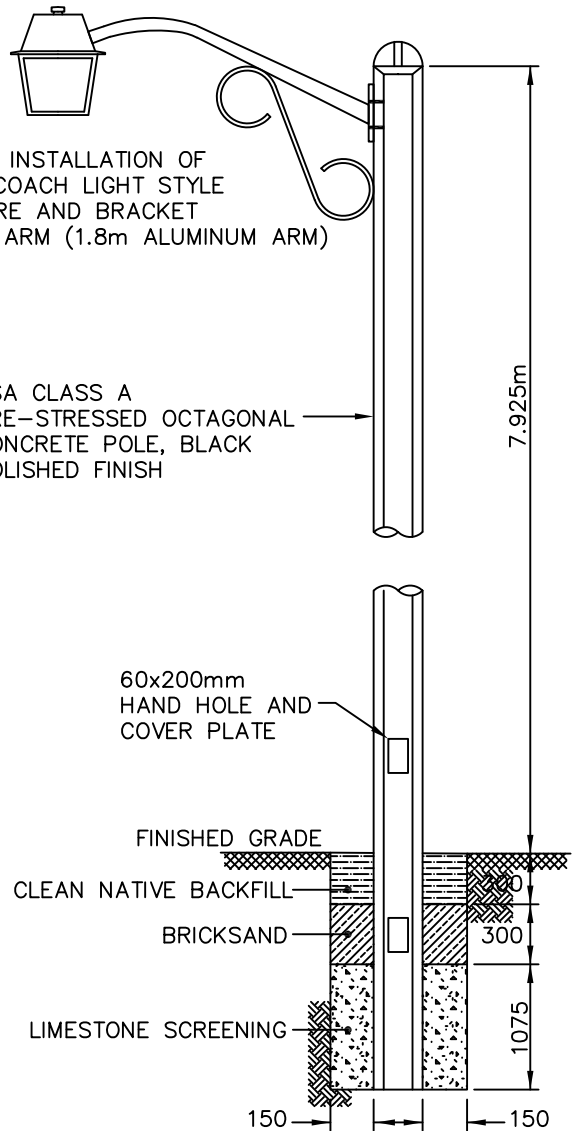


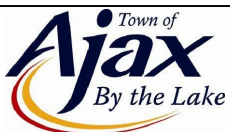
STANDARD STREET LIGHT



DECORATIVE STREET LIGHT

NOTES:

1. HANDHOLE TO BE SET SUCH THAT MAINTENANCE PERSONNEL WILL FACE ON-COMING TRAFFIC.
2. ALL POLES TO BE SET TRUE AND PLUMB BEFORE BOULEVARDS ARE SODDED.
3. SEE SECTION I OF CRITERIA FOR ACCEPTABLE LUMINAIRES AND POLES



ENGINEERING SECTION

STREET LIGHT INSTALLATION DETAIL

DWG. No.

AS-325

DATE

JANUARY 2011

REVISION No.