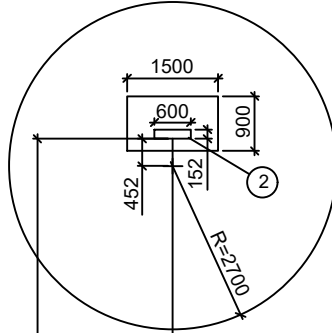
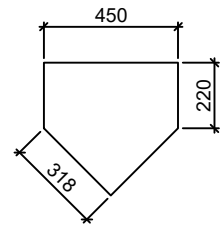


CROSS SECTION OF PITCHER'S MOUND



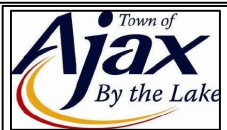
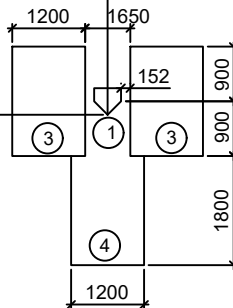
18440



HOME PLATE

LEGEND

- ① HOME PLATE
- ② PITCHER'S PLATE
- ③ BATTER'S BOX
- ④ CATCHER'S BOX



OPERATIONS SECTION

**BASEBALL PITCHER'S MOUND  
AND HOME PLATE**

DWG. No.

**AS-613**

DATE

SEPT. 2020

REVISION No.