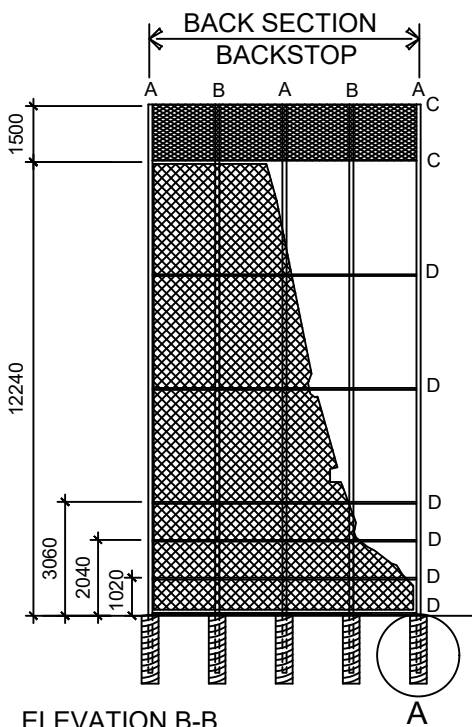
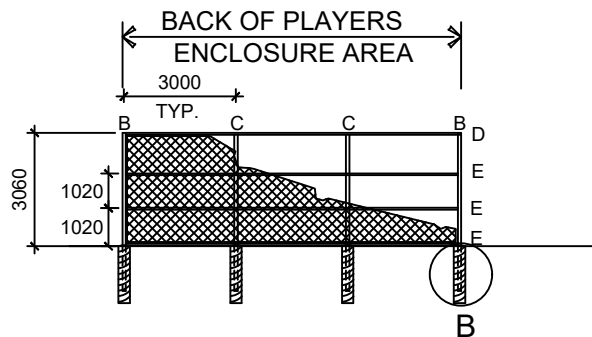
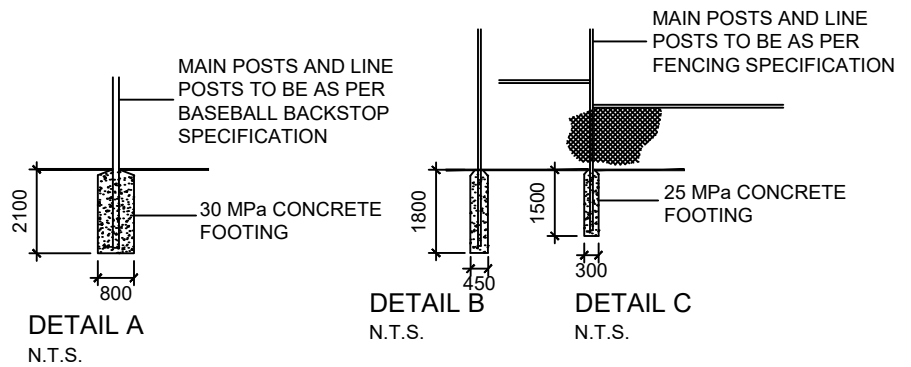


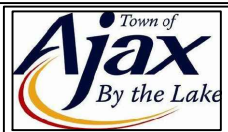
ELEVATION A-A



ELEVATION B-B



ELEVATION C-C



OPERATIONS SECTION

**SOFTBALL - SENIOR FIELD
BACKSTOP FENCE - ELEVATIONS (3 OF 4)**

DWG. No.

AS-617

DATE

SEPT. 2020

REVISION No.