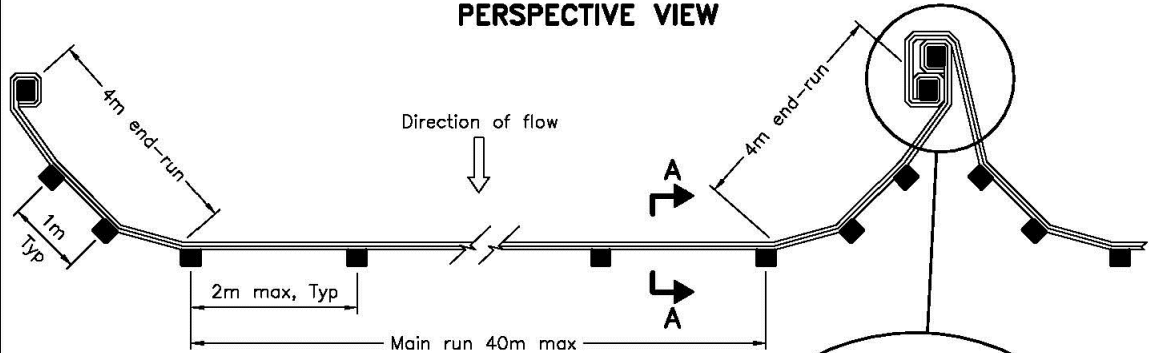
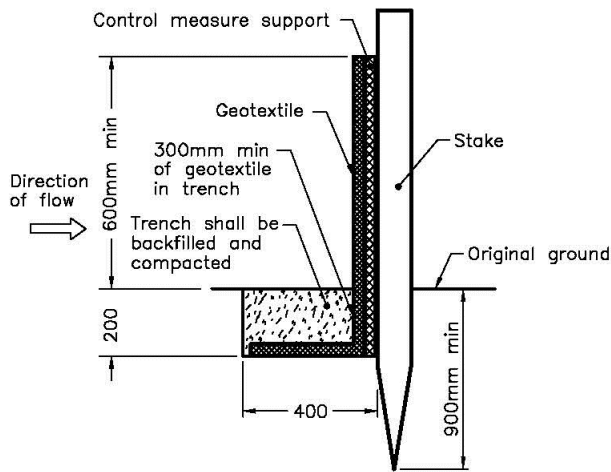


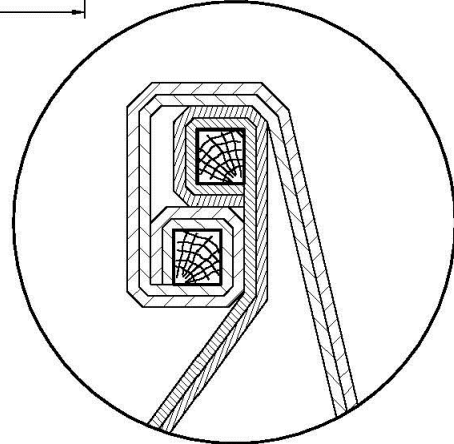
**PERSPECTIVE VIEW**



**PLAN**



**SECTION A-A**



**JOINT DETAIL**

**NOTE:**

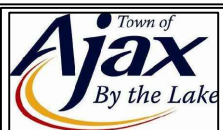
A All dimensions are in millimetres unless otherwise shown.

ONTARIO PROVINCIAL STANDARD DRAWING

Nov 2015 Rev 2

**HEAVY-DUTY  
SILT FENCE BARRIER**

**OPSD 219.130**



OPERATIONS SECTION

**BARRIER - SILT FENCE**

DWG. No.

**AS-706**

DATE

SEPT. 2020

REVISION No.