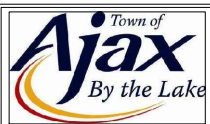
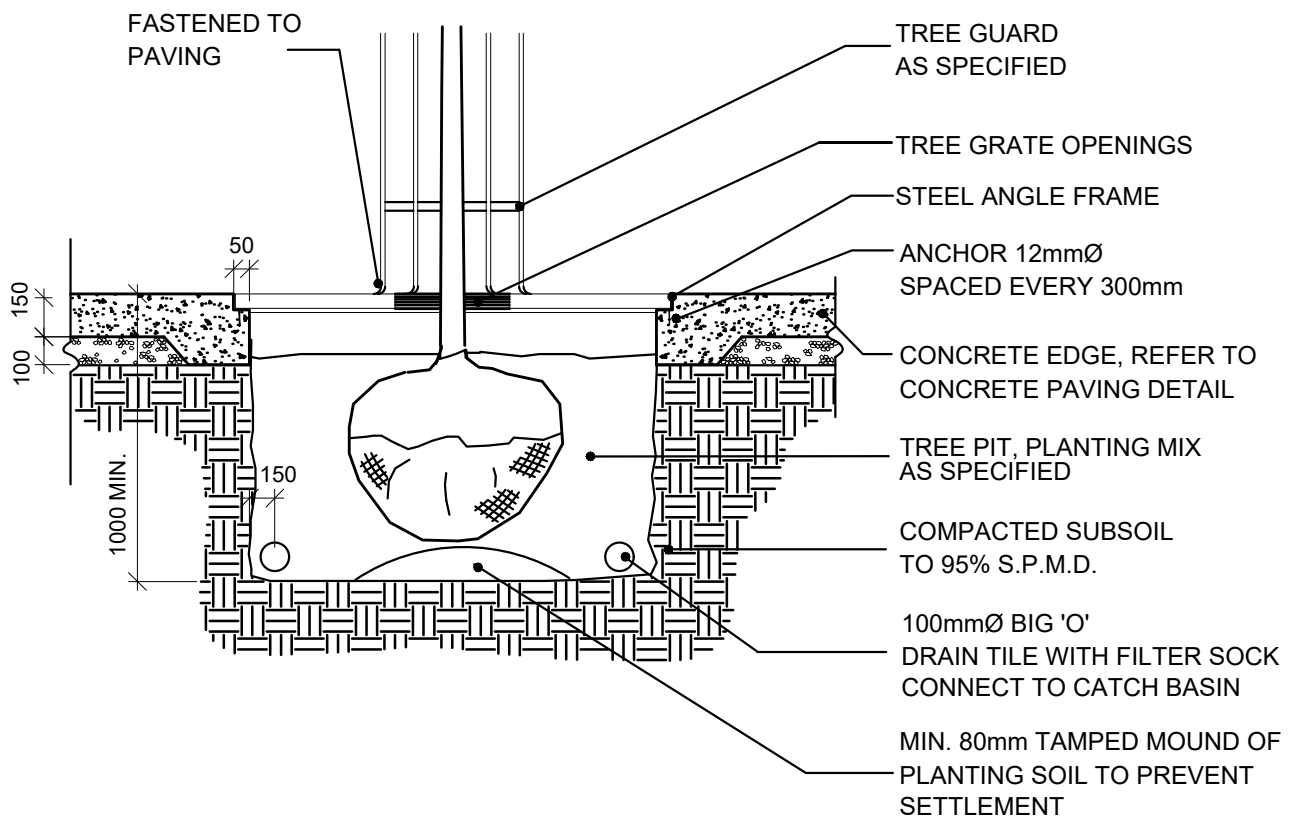


TREE GRATE AS SPECIFIED

NOTE: FRAMES MUST BE POSITIONED BEFORE CONCRETE IS POURED AND MUST BE LEVEL TO PREVENT ANY ROCKING OF TREE GRATES.



OPERATIONS SECTION

TREE PIT, GRATE AND GUARD

DWG. No.

**AS-708**

DATE

MAY 2021

REVISION No.