

**MAGLIN**

MAGLIN SITE FURNITURE INC.  
WWW.MAGLIN.COM  
TEL: 800-716-5506  
FAX: 877-260-9393

THE INFORMATION CONTAINED IN THIS DRAWING IS THE SOLE PROPERTY OF MAGLIN SITE FURNITURE INC. ANY REPRODUCTION IN PART OR AS A WHOLE WITHOUT THE WRITTEN PERMISSION OF MAGLIN SITE FURNITURE INC. IS PROHIBITED.

TITLE:  
BENCH, 510, METAL, W/CENTER ARM

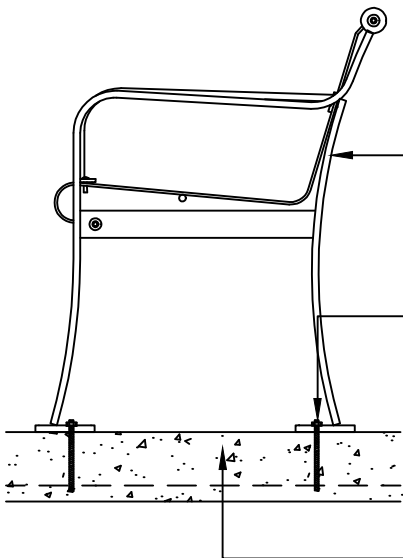
PART NO.  
MLB510-M-C

SCALE: 1/8"

WEIGHT:  
160.37 LBS

DATE:  
2015-07-02

D01



MAGLIN SITE FURNITURE INC.  
MODEL: MLB510-M-C

BENCH TO BE SECURED WITH  
S. S. TAMPER PROOF  
MOUNTING HARDWARE  
QUANTITY : FOUR

NOTES:

1. INSTALLATION TO BE COMPLETED IN ACCORDANCE WITH MANUFACTURER'S SPECIFICATIONS.
2. DO NOT SCALE DRAWINGS.
3. IMAGES MAY NOT BE EXACTLY AS ILLUSTRATED.

CONCRETE PAVING;  
REFER TO PLANS AND DETAILS



OPERATIONS SECTION

**BENCH - PARK AND TRAIL**

DWG. No.

**AS-901**

DATE

SEPT. 2020

REVISION No.