

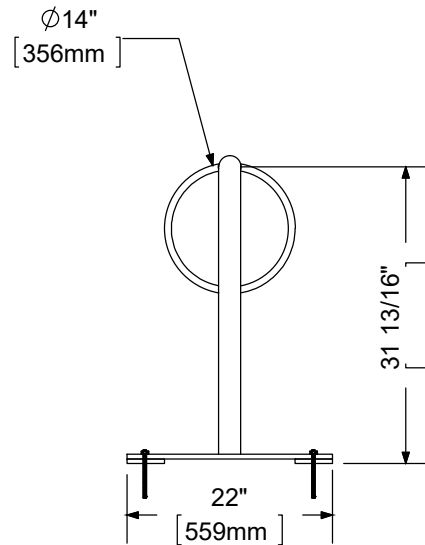
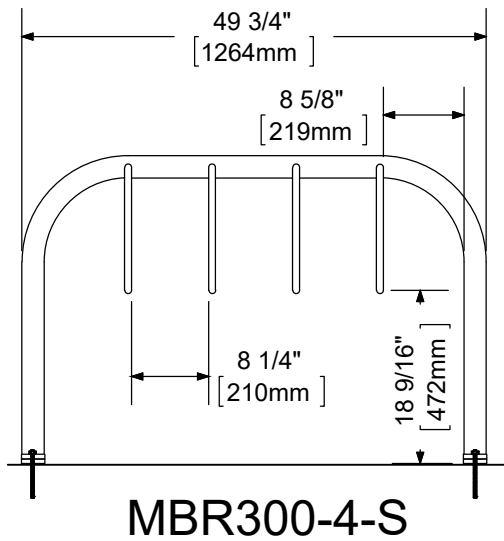
MATERIALS: All parts are made from solid steel rod and H.S. steel tube.

FINISH: All steel components are protected with E-Coat rust proofing.
The Maglin Powdercoat System provides a durable finish on all metal surfaces.

INSTALLATION: The bike rack is delivered pre-assembled. It is available with either a surface mount.

TO SPECIFY: Select: MBR300-4-S
Choose:
- Powdercoat Color: BLACK

OPTIONS: - Number of Rings (4 is standard)



DIMENSIONS:

Height: 31.81" (80.8cm)
Length: 49.75" (126.4cm)
Depth: 22.00" (55.9cm)
Weight: 70.90lbs (32.2kg)

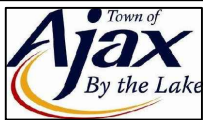
NOTES:

1. INSTALLATION TO BE COMPLETED IN ACCORDANCE WITH MANUFACTURER'S SPECIFICATIONS.
2. DO NOT SCALE DRAWINGS.
3. IMAGES MAY NOT BE EXACTLY AS ILLUSTRATED.



MAGLIN

T 800-716-5506
F 877-260-9393
www.maglin.com
sales@maglin.com



OPERATIONS SECTION

BICYCLE RACK

DWG. No.

AS-906

DATE

SEPT. 2020

REVISION No.